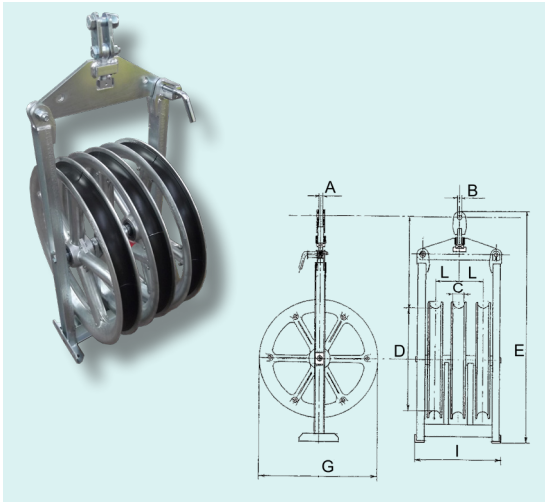


F145



Three-sheave running out block fit for stringing two- three-bundled conductors. Aluminium sheaves mounted on sealed ball bearings. Grooves lined with nylon sectors. Galvanised steel frame with non-fleeting devices on lateral sheaves. Demountable attachment revolving by 90° (available with tight wheel).

OPTIONAL DEVICES

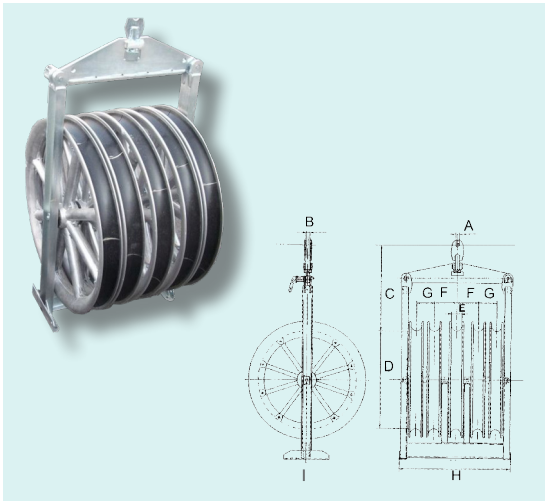
- 314 Sheaves lined with aluminium sectors
- 320 Cage for stocking and transport
- 326 Grounding device (opt.314 needed)
- 329 Copper cable, 6-m long, with transparent PVC protection, with a clamp for tower and a terminal for the running out block (opt.326)
- 325 Reinforced central sheave with total working load 80 kN (for mod. F145.80.95 F145.100.95 only)
- 330 Central sheave with groove width 95 mm (for models F145.xx.68 e F149 xx.68).
- 327.1 Non-fleeting device between the central wheel and the lateral ones

	Dimensions (mm)											W.L.L kN	Weight kg
	A	B	C	D	E	F	G	H	I	L			
F145.35.60	20	21	60	350	900	400	440	200	400	100	26	40	
F145.50.68	25	25	68	500	1250	550	630	280	500	145	50	93	
F145.65.68	25	25	68	650	1400	550	770	280	500	145	50	112	
F145.65.95	25	30	95	650	1400	550	770	280	590	175	70	125	
F145.80.68	25	25	68	800	1500	550	900	280	500	145	70	128	
F145.80.95	25	30	95	800	1550	550	900	300	590	175	70	156 (¹)	
F145.100.95	25	30	95	1000	1750	550	1100	300	590	175	70	200 (¹)	

Larger diameters on demand

(¹) With opt.325 working load 80 kN. Weight F145.80.95=165 kg; F145.100.95=218 kg

F149



Five-sheave running out block fit for stringing four-bundled conductors. Aluminium sheaves mounted on sealed ball bearings. Grooves lined with nylon sectors. Galvanised steel frame with non-fleeting devices on lateral sheaves. Demountable attachment revolving by 90° (available with tight wheel).

OPTIONAL DEVICES

- 314 Sheaves lined with aluminium sectors
- 320 Cage for stocking and transport
- 326 Grounding device (opt.314 needed)
- 329 Copper cable, 6-m long, with transparent PVC protection, with a clamp for tower and a terminal for the running out block (opt.326)
- 325 Reinforced central sheave with total working load 80 kN (for mod. F145.80.95 F145.100.95 only)
- 330 Central sheave with groove width 95 mm (for models F145.xx.68 e F149 xx.68).
- 327.1 Non-fleeting device between the central wheel and the lateral ones

	Dimensions (mm)										W.L.L kN	Weight kg
	A	B	C	D	E	F	G	H	I	L		
F149.50.68	25	25	520	500	68	145	100	700	630	1250	50	128
F149.65.68	25	25	590	650	68	145	100	700	770	1400	50	147
F149.65.95	25	30	590	650	95	175	130	820	770	1400	70	185
F149.80.68	25	25	590	800	68	145	100	700	900	1560	70	180
F149.80.95	25	30	590	800	95	175	130	820	900	1560	70	220 (¹)
F149.100.95	30	30	590	1000	95	175	130	820	1100	1800	70	272 (¹)

Larger diameters on demand

(¹) With opt.325 working load 80 kN. Weight F149.80.95=250 kg; F149.100.95=290 kg

Dimensions and weights are without optional devices. All data may change without notice. Images and drawings are indicative only.