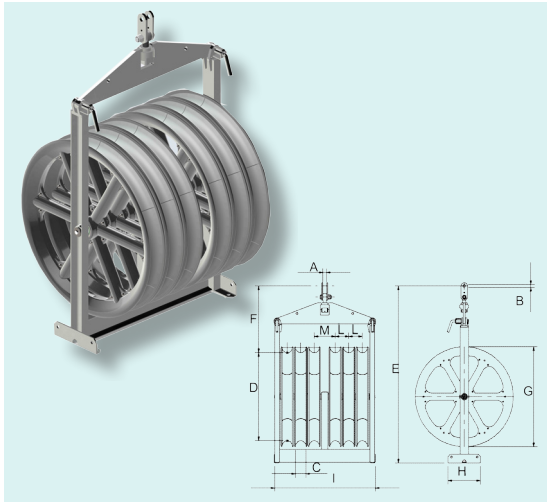


# F188



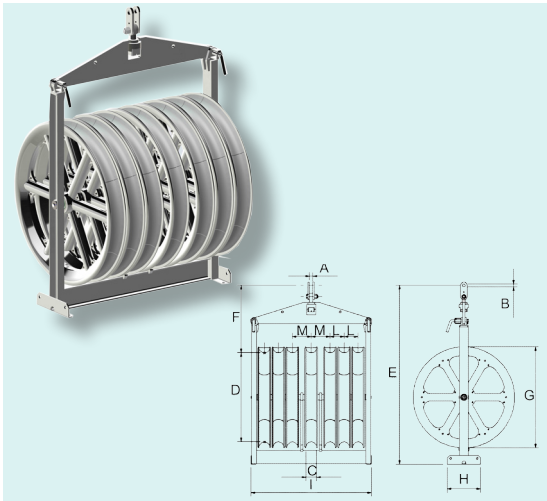
Six-sheave running out block, fit for stringing 6 conductors. Aluminium sheaves mounted on sealed ball bearings. Grooves lined with nylon sectors. Steel frame with non-fleeting devices on lateral sheaves. Demountable attachment revolving by 90°.

### OPTIONAL DEVICES

- 314 Sheaves lined with aluminium sectors.
- 326 Grounding device (opt.314 needed).
- 329 Copper cable, 6-m long, with transparent PVC protection, with a clamp for tower and a terminal for the running out block (opt.326).

	Dimensions (mm)											Working Load	Weight
	A	B	C	D	E	F	G	H	I	L	M	kN	kg
F188.65.68	30	30	68	650	1400	550	770	400	750	100	145	40	180
F188.65.95	30	30	95	650	1400	550	770	400	880	125	170	60	207
F188.80.68	30	30	68	800	1500	550	900	500	750	100	145	60	204
F188.80.95	30	30	95	800	1550	550	900	500	880	125	170	60	240

# F189



Seven-sheave running out block, fit for stringing 4 or 6 conductors. Aluminium sheaves mounted on sealed ball bearings. Grooves lined with nylon sectors. Steel frame with non-fleeting devices on lateral sheaves. Demountable attachment revolving by 90°.

### OPTIONAL DEVICES

- 314 Sheaves lined with aluminium sectors.
- 325 Central sheave lined with steel sectors.
- 326 Grounding device (opt.314 needed).
- 329 Copper cable, 6-m long, with transparent PVC protection, with a clamp for tower and a terminal for the running out block (opt.326).

	Dimensions (mm)											Working Load	Weight
	A	B	C	D	E	F	G	H	I	L	M	kN	kg
F189.65.68	30	30	68	650	1400	590	100	400	930	100	145	40	195
F189.65.95	30	30	95	650	1400	590	125	400	1100	125	170	60	235
F189.80.68	30	30	68	800	1560	590	100	500	930	100	145	60	240
F189.80.95	30	30	95	800	1560	590	125	500	1100	125	170	60	295

Dimensions and weights are without optional devices. All data may change without notice. Images and drawings are indicative only.