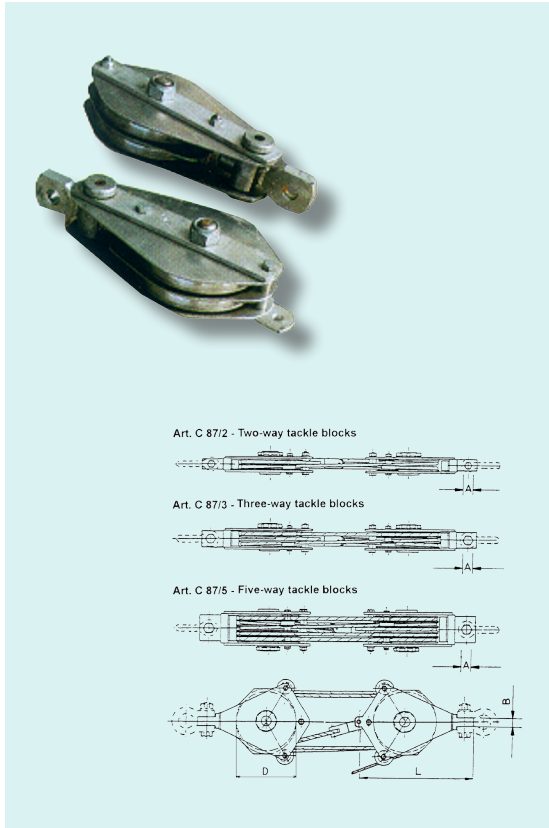


C87



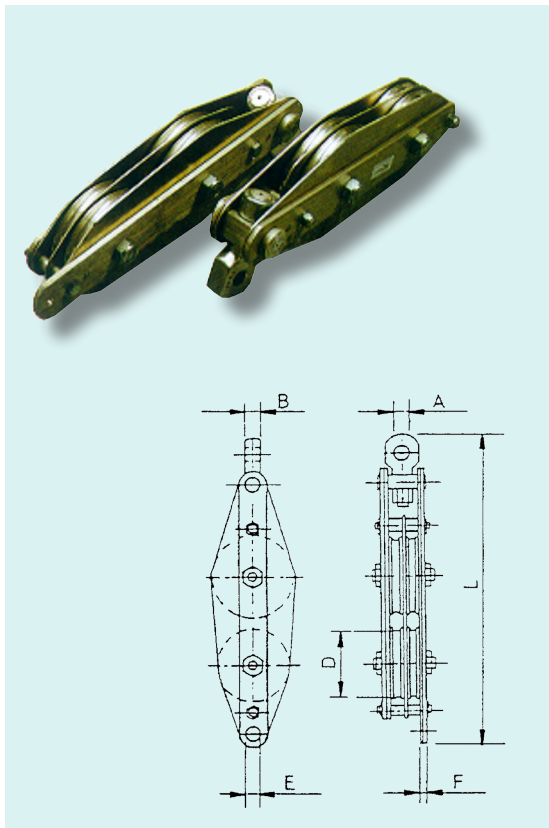
Snatch block for wire ropes. Galvanised steel frame with 2, 3 or 5 steel sheaves mounted on waterproof ball bearings. The snatch blocks are supplied in pairs.

OPTIONAL DEVICES

- 01 Shackle, swivel joint and wire rope (length and diameter of the rope to be specified)
- 02 Anti-fleeting bars.

	Sheaves		Dimensions (mm)				Working load kN	Weight per pair kg
	no.	D min	rope Ø	L max	A	B		
C87.2.025	2	160	8	380	22	22	30	20
C87.3.035	3	160	8	450	25	22	50	27
C87.5.055	5	160	8	500	29	22	80	45
C87.2.030	2	180	9	370	22	22	38	25
C87.3.045	3	180	9	430	25	22	60	30
C87.5.070	5	180	9	470	29	22	100	45

C88



Tackle block for high voltage lines. Steel frame with 4 or 6 steel sheaves mounted on waterproofed ball bearings. Supplied in pairs.

OPTIONAL DEVICES

- 01 Aluminium sheaves.

	Sheaves		Dimensions (mm)					Working load kN	Weight per pair kg
	no.	D min	rope Ø	L max	A	B	E min		
C88.4.025	4	120	6	500	23	23	11	40	25
C88.4.045	4	160	8	650	25	23	11	73	45
C88.6.065	6	160	8	680	27	35	11	105	70
C88.6.095	6	200	10	800	36	45	12	150	100
c88.6.120	6	240	12	940	38	48	14	200	130

Dimensions and weights are without optional devices. All data may change without notice. Images and drawings are indicative only.